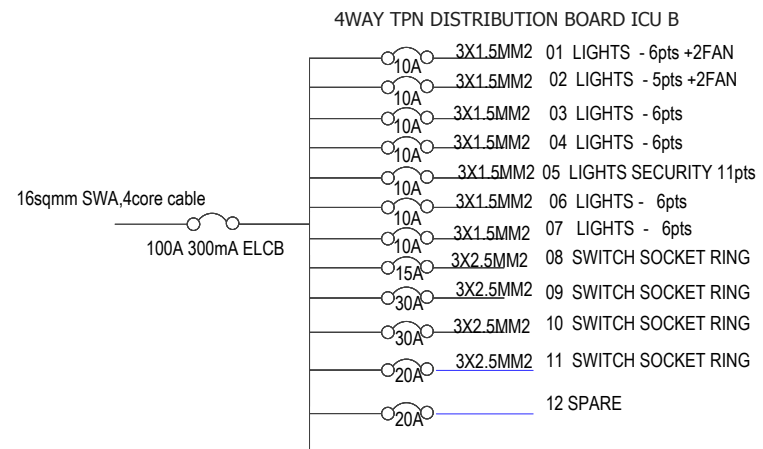
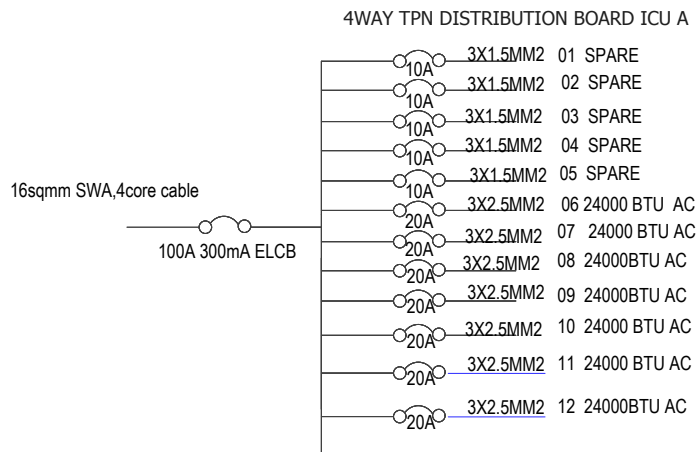


Building Section
 Policy and Planning Department,
 Ministry of Health, Community Development ,
 Gender, Elderly and Children
 6 Samora Machel Avenue
 P.O. Box 9083, Dar es Salaam
 Tel +25522234000/5
 Fax +255222137591

Approved	NO	Description	Date

CLIENT:-
 PRESIDENTS OFFICE
 PROJECT:-
 PROPOSED COUNCIL HOSPITAL

ELECTRICAL LAYOUT	
ICU BLOCK	
Project No	
Date	NOV, 2021
Drawn by	EEC
Checked by	EEC
Scale	1 :100



Building Section
 Policy and Planning Department,
 Ministry of Health, Community Development ,
 Gender, Elderly and Children
 6 Samora Machel Avenue
 P.O. Box 9083, Dar es Salaam
 Tel +25522234000/5
 Fax +255222137591

Approved	NO	Description	Date

CLIENT:-
 PRESIDENTS OFFICE

PROJECT:-
 PROPOSED COUNCIL HOSPITAL

ELECTRICAL DB A&B	
ICU BLOCK	
Project No	
Date	NOV, 2021
Drawn by	EEC
Checked by	EEC
Scale	1:100

KEY TO SYMBOLS		
SYMBOL	DESCRIPTION	MOUNTING HEIGHT
	Distribution Board with integral RCD	2000 mm AFFL
	Bulkhead light Fitting	Wall Mounted
	Down light recessed	Ceiling mounted
	LED batten tube light fitting double 1200mm	Ceiling mounted
	LED batten tube light fitting single 1200mm	Ceiling mounted
	Ceiling Fan	Trusses/ceiling mounted
	Fan Regulator	1500 mm AFFL
	1 gang 1way Switch	1500 mm AFFL
	1 gang 2way Switch	1500 mm AFFL
	2 gang 2way Switch	1500 mm AFFL
	3 gang 1way Switch	1500 mm AFFL
	2 gang 1way Switch	1500 mm AFFL
	4 gang 1way Switch	
	Twin Switch Socket	450-600 mm AFFL
	Earthing	
	Data outlet direct line	450-600 mm AFFL
	20A, double pole switch	1500 mm AFFL
	20A, Hand drier	1200 mm AFFL
	TV Outlet	450-600 mm AFFL
	Cooker control unit	1200 mm AFFL
	Smoke detector	
	Fire alarm control panel	
	High bay lighting fixture	Ceiling mounted
	Air conditioner	Wall mounted
	Cassete type lighting	Ceiling mounted
	Electrical point	Ceiling mounted

KEY TO ABBREVIATION

ABBREVIATION	DESCRIPTION	MOUNTING HEIGHT
TPN	Three phase&Neutral	
DB	Distribution board	
SPN	Single phase & neutral	
SWA	Steel wire armoured	

Building Section
Policy and Planning Department,
Ministry of Health, Community Development,
Gender, Elderly and Children
6 Samora Machel Avenue
P.O. Box 9083, Dar es Salaam
Tel +25522234000/5
Fax +255222137591

Approved	NO	Description	Date

CLIENT:-
PRESIDENTS OFFICE,
REGIONAL ADMINISTRATION AND
LOCAL GOVERNMENT.
PROJECT:-
PROPOSED COUNCIL HOSPITAL

ELECTRICAL SYMBOLS & ABBREVIATION	
Project No	
Date	NOV 2021
Drawn by	EEC
Checked by	EEC
Scale 1:100	